

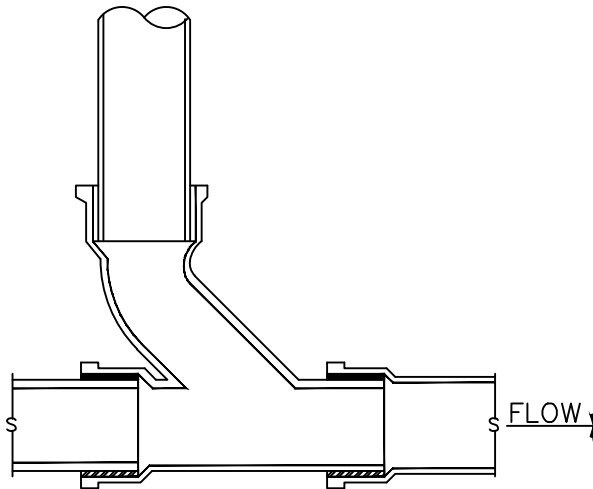
SCORIATED & LABELED
ACCESS FRAME & COVER

FINISHED GRADE, CONC. OR PAVING

14" X 14" X 6" DEEP
CONCRETE PAD

CLEANOUT FERRULE
WITH PLUG

DRAIN PIPE



MD ANDERSON CANCER CENTER
Facilities Planning Design & Construction

ISSUE DATE
01-10-2005

EXTERIOR CLEANOUT
TO GRADE

Facility Program Standard Detail

PL-221030-01