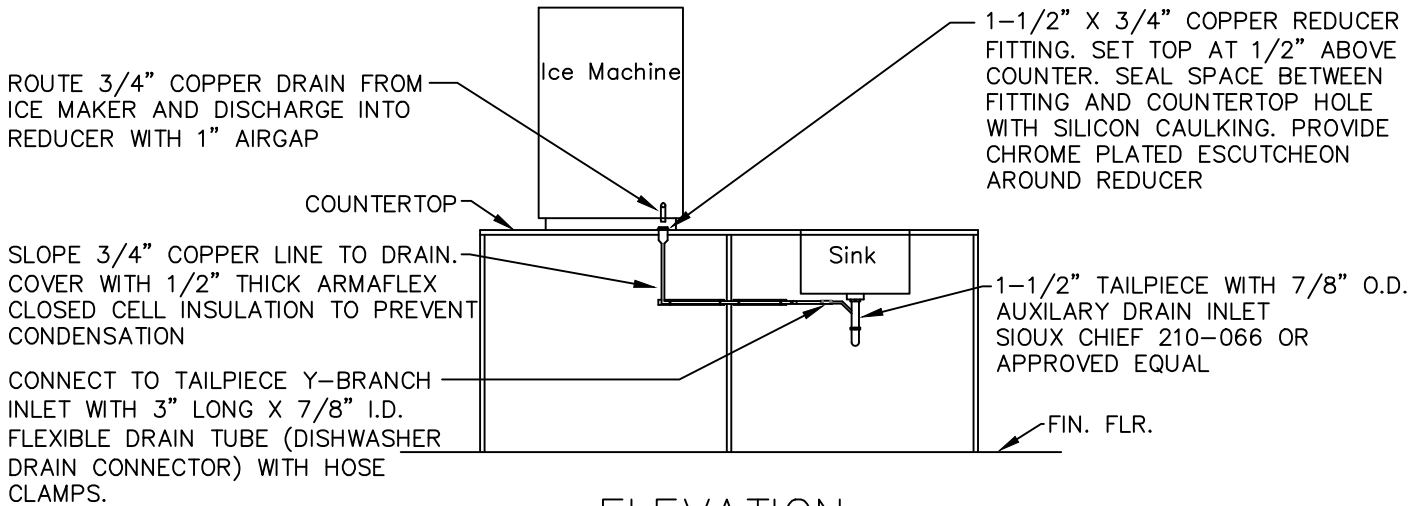


PLAN



ELEVATION

NOTE: THIS ARRANGEMENT SHALL ONLY BE USED WHERE INSTALLATION OF A FLOOR SINK IS IMPRACTICAL

MD ANDERSON CANCER CENTER
Facilities Planning Design & Construction

| ISSUE | DATE |
|-------|------------|
| △ | 04-14-2006 |

INDIRECT WASTE
For Counter Mounted Ice Machine

Facility Program Standard Detail

PL-221000-01